



### Description

Director DR5 is a QR-CBC51 recessed remote controlled spotlight that works on a two ring gimbal method that allows for +/- 45° movement in both the X and Y axes. To be installed in the ceiling, it is controllable in two axes and dimming using the hand-held controller, DMX or DALI. Sequencing and a range of accessories are available. DR5 is compatible with most world voltages and frequencies.

### Applications

The DR5 can be used in any project that requires flexible lighting, but is more discreet than a track-mounted spot. The most common application is in hotel ballrooms where the lights are used to pinspot the centre pieces of the individual tables. The removable snoot allows for options ranging from filters to anti-glare control.



#### Individual Selection

The patented method of selection using a laser from a hand-held controller allows individual control over each fitting. The Global function allows multiple units to be dimmed or the recall of stored positions. Alternatively, control by DMX or DALI is also available.



#### Lamp Change

A screw-in snoot allows for a simple lamp change without the need for tools.



#### Gimbal X/Y Movement

The innovative technology within the DR5 allows the user precise control over the direction of the beam.



#### Ceiling Mounting

The DR5 is retained in the ceiling by four screws. A Ceiling void of 150mm minimum is required.



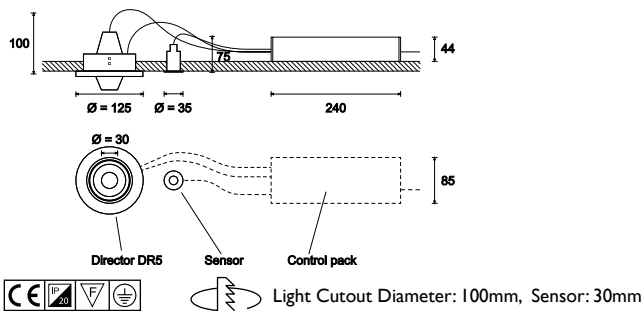
#### Beam Control

The removable snoot in the head of the DR5 allows for numerous accessories. See below for details.



#### Pack Layout

The DR5 is supplied with a separate control pack that sits loose on the ceiling.



Pearl White

Order Code    51212



Coloured Lens

- 95225
- 95226
- 95227
- 95228



Dichroic Lens

- 95215
- 95216
- 95217
- 95218



Honeycomb

95202



Diffusing Lens

95203



Sculpture Lens

95214

### Technical Information

Lamp -            QR-CBC51 / MR16  
 Max Power -    75W  
 Weight -         1.5Kg  
 Warranty -       2 Years  
 Construction -   Steel