



Description

Director DR5 is a CDM-R111 recessed remote controlled spotlight that works on a two ring gimbal method that allows for +/- 45° movement in both the X and Y axes. To be installed in the ceiling, it is controllable in two axes using the hand-held controller, DMX or DALI. Sequencing and a range of accessories are available. DR5 is compatible with most world voltages and frequencies.

Applications

The DR5 can be used in any project that requires flexible lighting, but is more discreet than a track-mounted spot. The most common application is in hotel ballrooms where the lights are used to pin-spot the centre pieces of the individual tables. The removable snout allows for options ranging from filters to anti-glare control.



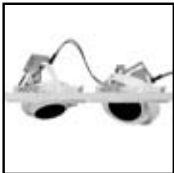
Individual Selection

The patented method of selection using a laser from a hand-held controller allows individual control over each fitting. The Global function allows multiple units to recall stored positions. Alternatively, control by DMX or DALI is also available.



Lamp Change

Spring clips allow for simple lamp change without the need for tools.



Gimbal X/Y Movement

The innovative technology within the DR5 allows the user precise control over the direction of the beam.



Ceiling Mounting

The DR5 is retained in the ceiling by leaf springs that are suitable for all types of ceiling construction. A Ceiling void of 200mm minimum is required.



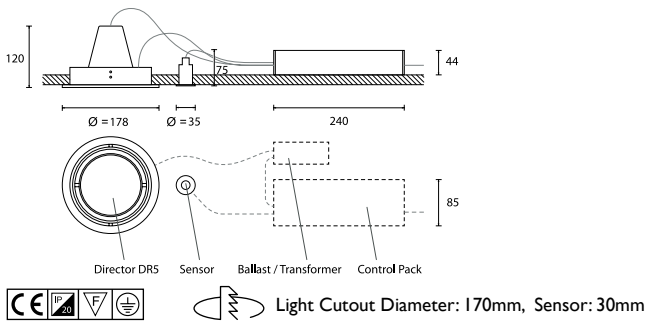
Beam Control

The removable snout in the head of the DR5 allows for numerous accessories. See below for details.



Pack Layout

The DR5 is supplied with a separate control pack that sits loose on the ceiling.



Satin Silver

Order Code

51741



Pearl White

51742







Matt Black

51743



Coloured Lens

-  95125
-  95126
-  95127
-  95128



Dichroic Lens

-  95115
-  95116
-  95117
-  95118



Honeycomb

95102



Diffusing Lens

95103



Sculpture Lens

95114

Technical Information

- Lamp - CDM-R111
- Max Power - 70W
- Weight - 1.8Kg
- Warranty - 2 Years
- Construction - Steel & Aluminium