



Description

Director DR3 is a track-mounted remote controlled metal halide spotlight that is controllable in pan, tilt and ballest on/off using the hand-held controller, DMX or DALI. To be installed on universal 3-phase track, the DR3 can also be supplied in a sequencing version which allows the light to move through a sequence of up to ten pre-recorded positions. A range of accessories is available. DR3 is compatible with most world voltages and frequencies.

Applications

The DR3 is ideal for installations that require a high level illuminance but with the added benefit of flexibility. They allow the staff to change the displays and light them quickly and easily. The ability to add continuous movement through sequencing creates a dramatic effect and attracts more attention to the display.



Individual Selection

The patented method of selection using a laser from a hand-held controller allows individual control over each fitting. The Global function allows multiple units to recall stored positions. Alternatively, control by DMX or DALI is also available.



Lamp Change

A simple-to-use quick release latch allows for removal of the reflector and easy lamp change.



Pan & Tilt Rotation 360° / 180°

The innovative technology within the DR3 allows the user precise control over the direction of the beam.



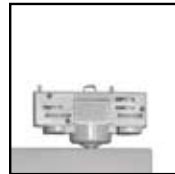
Sequencing

The DR3 can be set into a continuous sequence that will move through up to 10 recorded positions of pan/tilt. For sequencing option, please add the prefix 'M' to the product code (i.e. 31312M).



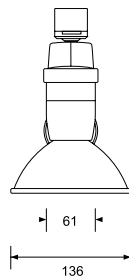
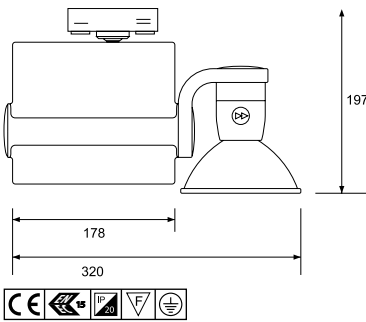
Glare Control

There are several glare control methods for the DR3 ranging from a Honeycomb Louvre to an Anti-Glare Cap, as shown. See below for details.



Mounting

3-circuit adaptor that is compatible with 3-Circuit Eutrac and 3-Circuit Erco Track. 3-Circuit Global track adaptor available on request



Socket
G12



Lamp

Satin Silver

Pearl White

Matt Black

CDM-T (150W)

31411

31412

31413

CDM-T (70W)

31311

31312

31313

CDM-T (35W)

31211

31212

31213



Coloured Lens

- 93125
- 93126
- 93127
- 93128



Dichroic Lens

- 93115
- 93116
- 93117
- 93118



Diffusing Lens

93103



Sculpture Lens

93114



Beam

Plain Glass

- 12°
- 24°
- 38°

- 3001x
- 3002x
- 3003x



Anti-Glare

- 3011x
- 3012x
- 3013x



Honeycomb

- 3031x
- 3032x
- 3033x

x - 1 ~ Satin Silver 2 ~ Pearl White 3 ~ Matt Black