



Description

Director DR2 - CDM-R111 - is a remote controlled spotlight that is controllable in pan and tilt using the hand-held controller, DMX or DALI. To be installed on the ceiling, the DR2 is also available in a sequencing version which allows the light to move through a sequence of up to ten pre-recorded positions. A range of accessories is available. DR2 is compatible with most world voltages and frequencies.

Applications

The DR2 is ideal for installations where the objects being lit are moved or replaced frequently. Spotlights that may be difficult or dangerous to reach but still require manual adjustment, can be replaced by the safe and easy to use DR2. The sequencing DR2 or colour accessories can be used to add drama and value to any project.



Individual Selection

The patented method of selection using a laser from a hand-held controller allows individual control over each fitting. The Global function allows multiple units to recall stored positions. Alternatively, control by DMX or DALI is also available.



Lamp Change

A simple bayonet socket allows for quick and easy changes.



Pan & Tilt Rotation 360° / 180°

The innovative technology within the DR2 allows the user precise control over the direction of the beam.



Sequencing

The DR2 can be set into a continuous sequence that will move through up to 10 recorded positions of pan and tilt. For sequencing option, please add the prefix 'M' to the product code (i.e. 21312M).



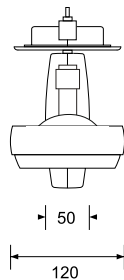
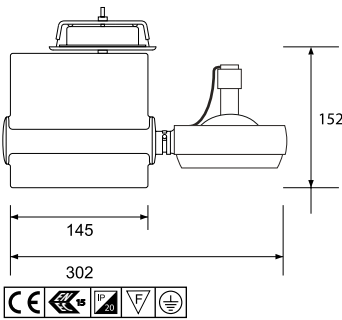
Beam Control

The accessory holder in the head of the DR2 allows for numerous accessories. See below for details.



Mounting

A Simple mounting option that allows the light to be installed anywhere on the ceiling providing that there is adequate space (100mm) above the fixing point.



Satin Silver



Pearl White



Matt Black

Order Code

21451

21452

21453



Coloured Lens

- 92125
- 92126
- 92127
- 92128



Dichroic Lens

- 92115
- 92116
- 92117
- 92118



Honeycomb

92102



Diffusing Lens

92103



Sculpture Lens

92114

Technical Information

- Lamp - CDM-R111
- Max Power - 35W
- Weight - 1.3Kg
- Warranty - 2 Years
- Construction - Die-cast aluminium